

## MEGATRON/N

### ES

**Montaje:** Adosado mediante lira.

**Fuente de luz:** LED PHILIPS®/CREE®  
5050. Temperatura de color 5000K.  
Disponibles, 3000K, 4000K, 6000K.

**Sistema óptico:** Lentes PMMA PLEXIGLAS® de gran transmisibilidad luminica. Ópticas de 8°, 12°, 20°, 40°, 50°, 90°, 120°, ASIMÉTRICA.

**Distribución luminosa:** Directa.

**Equipo eléctrico:** Equipo de control electrónico. PF>0,95.  
Disponibles, regulable 0-10V o DALI .

**Materiales:** Lentes: PMMA PLEXIGLAS® - sin amarillos, con alto grado de transmisión lumínica. Cuerpo: Acero laminado.  
**Disipador térmico:** Aluminio extruido anodizado protegido contra los rayos UV. Junta de cierre: Silicona.

**Acabado:** Color negro RAL 9005.



### EN

**Mounting:** Surface, using bracket.

**Light source:** LED PMMA PHILIPS®/CREE®  
5050. Temperature color 5000K.  
Available, 3000K, 4000K, 6000K.

**Optical system:** Lenses PMMA PLEXIGLAS® of great light transmissibility. Lenses of 8°, 15°, 20°, 40°, 50°, 90°, 120°, ASYM°.

**Light distribution:** Direct.

**Electrical equipment:** Electronic control gear. PF>0,95.  
Available, dimmable 0-10V or DALI .

**Materials:** Lenses: PMMA PLEXIGLAS® - without yellows, with a high degree of light transmission. Heatsink: Extruded anodized aluminum protected against UV rays. Clips: Silicone.

**Surface finish:** Black color RAL 9005.

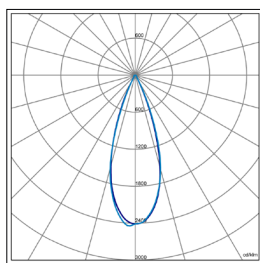


DISPONIBLE VISERA  
ANTIDESLUMBRAMIENTO  
AVAILABLE ANTI-GLARE  
BARNDOOR

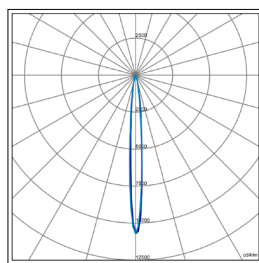
960W

ESTANDAR | STANDARD

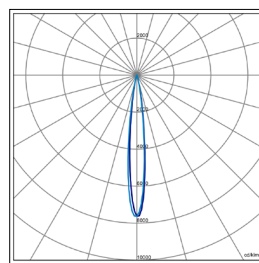
40°



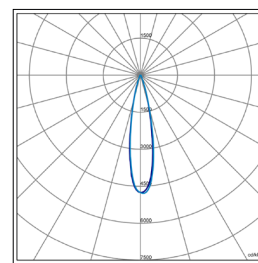
8°



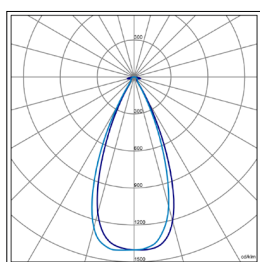
12°



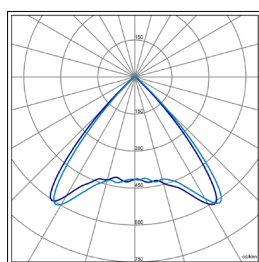
20°



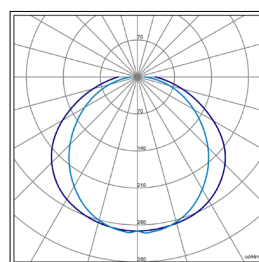
50°



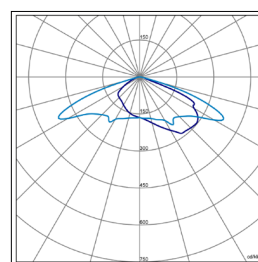
90°



120°

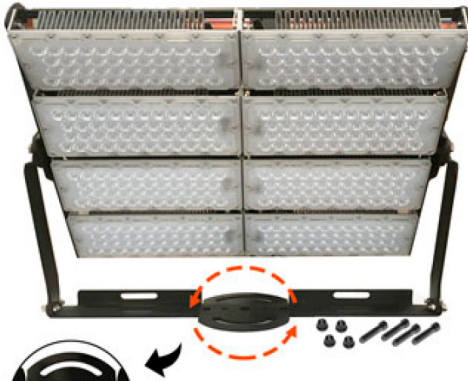
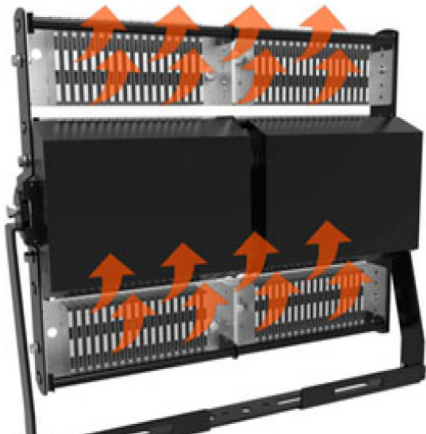
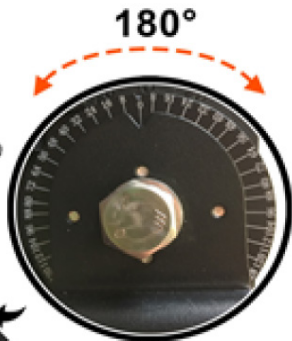


ASYM

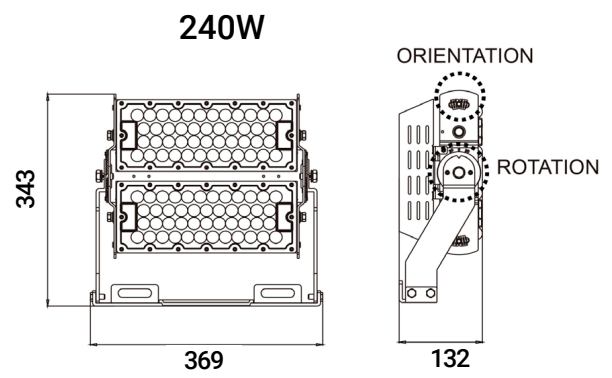
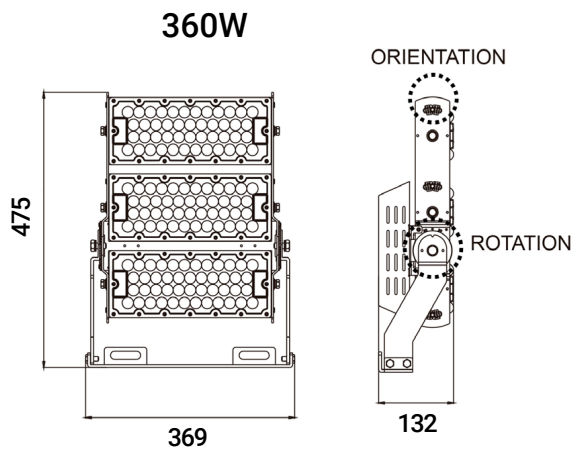
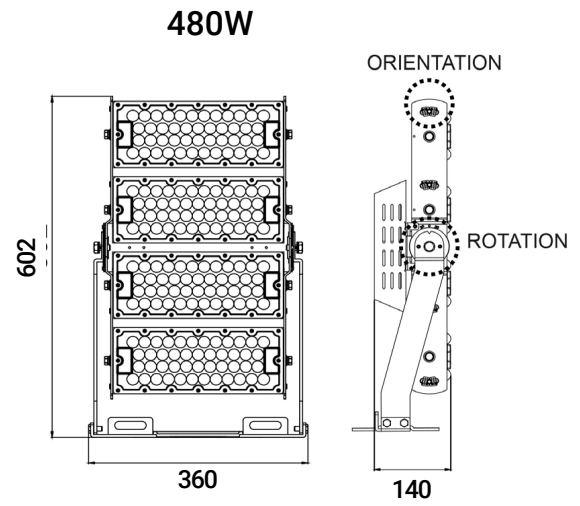
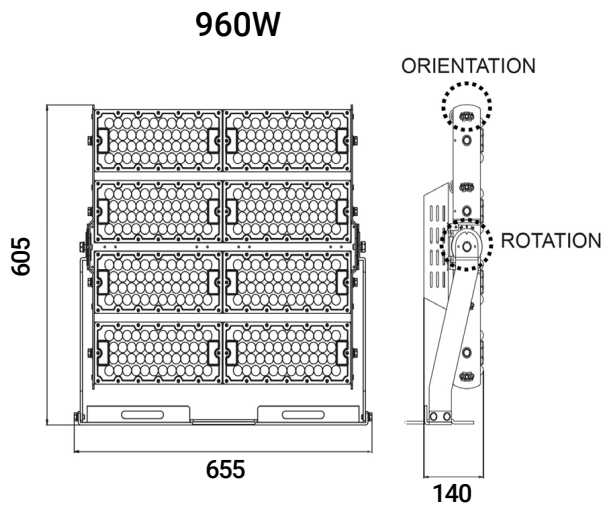




CONCRECION DE GIRO  
Y ORIENTACION  
EASY TO TURN



**MEGATRON/N**



ESTANDAR/STANDARD

5 AÑOS 220-240V 277V 24V IP 66 IK 09 CLASE I 50.000h -20° CRI 80 40°  
5 YEARS 50-60Hz 50-60Hz DC L80B10 +55°

DISPONIBLE/AVAILABLE

0-10V 3000K 8°  
DALI 4000K 12°  
6000K 20°  
50°  
90°  
120°  
ASYM°



| Código<br>Code                            | Referencia<br>Reference                      | Kg<br>Kg | Potencia<br>Power | Lúmenes<br>Lumens | Eficiencia<br>Efficiency | Sustituto de HIT<br>HIT replacement |
|---|--|----------|-------------------|-------------------|--------------------------|-------------------------------------|
| <b>POTENCIA/POWER 240W</b>                |  |          |                   |                   |                          |                                     |
| MGT2142KNW                                | MEGATRON/N/8°-S-IP66-240W 42500lm/850        | 4,7      | 240W              | 42500             | 177 lm/W                 | 2x250W                              |
| MGT2142KNX                                | MEGATRON/N/12°-S-IP66-240W 42500lm/850       | 4,7      | 240W              | 42500             | 177 lm/W                 | 2x250W                              |
| MGT2142KNY                                | MEGATRON/N/20°-S-IP66-240W 42500lm/850       | 4,7      | 240W              | 42500             | 177 lm/W                 | 2x250W                              |
| MGT2142KN                                 | MEGATRON/N/40°-S-IP66-240W 42500lm/850       | 4,7      | 240W              | 42500             | 177 lm/W                 | 2x250W                              |
| MGT2142KN1                                | MEGATRON/N/50°-S-IP66-240W 42500lm/850       | 4,7      | 240W              | 42500             | 177 lm/W                 | 2x250W                              |
| MGT2142KN2                                | MEGATRON/N/90°-S-IP66-240W 42500lm/850       | 4,7      | 240W              | 42500             | 177 lm/W                 | 2x250W                              |
| MGT2142KN3                                | MEGATRON/N/120°-S-IP66-240W 42500lm/850      | 4,7      | 240W              | 42500             | 177 lm/W                 | 2x250W                              |
| MGT2142KN4                                | MEGATRON/N/ASY°-S-IP66-240W 42500lm/850      | 4,7      | 240W              | 42500             | 177 lm/W                 | 2x250W                              |
| <b>POTENCIA/POWER 360W</b>                |  |          |                   |                   |                          |                                     |
| MGT3163KNW                                | MEGATRON/N/8°-M-IP66-360W 63750lm/850        | 6,3      | 360W              | 63750             | 177 lm/W                 | 2x400W                              |
| MGT3163KNX                                | MEGATRON/N/12°-M-IP66-360W 63750lm/850       | 6,3      | 360W              | 63750             | 177 lm/W                 | 2x400W                              |
| MGT3163KNY                                | MEGATRON/N/20°-M-IP66-360W 63750lm/850       | 6,3      | 360W              | 63750             | 177 lm/W                 | 2x400W                              |
| MGT3163KN                                 | MEGATRON/N/40°-M-IP66-360W 63750lm/850       | 6,3      | 360W              | 63750             | 177 lm/W                 | 2x400W                              |
| MGT3163KN1                                | MEGATRON/N/50°-M-IP66-360W 63750lm/850       | 6,3      | 360W              | 63750             | 177 lm/W                 | 2x400W                              |
| MGT3163KN2                                | MEGATRON/N/90°-M-IP66-360W 63750lm/850       | 6,3      | 360W              | 63750             | 177 lm/W                 | 2x400W                              |
| MGT3163KN3                                | MEGATRON/N/120°-M-IP66-360W 63750lm/850      | 6,3      | 360W              | 63750             | 177 lm/W                 | 2x400W                              |
| MGT3163KN4                                | MEGATRON/N/ASY°-M-IP66-360W 63750lm/850      | 6,3      | 360W              | 63750             | 177 lm/W                 | 2x400W                              |
| <b>POTENCIA/POWER 480W</b>                |  |          |                   |                   |                          |                                     |
| MGT4185KNW                                | MEGATRON/N/8°-L-IP66-480W 85000lm/850        | 10,5     | 480W              | 85000             | 177 lm/W                 | 1000W                               |
| MGT4185KNX                                | MEGATRON/N/12°-L-IP66-480W 85000lm/850       | 10,5     | 480W              | 85000             | 177 lm/W                 | 1000W                               |
| MGT4185KNY                                | MEGATRON/N/20°-L-IP66-480W 85000lm/850       | 10,5     | 480W              | 85000             | 177 lm/W                 | 1000W                               |
| MGT4185KN                                 | MEGATRON/N/40°-L-IP66-480W 85000lm/850       | 10,5     | 480W              | 85000             | 177 lm/W                 | 1000W                               |
| MGT4185KN1                                | MEGATRON/N/50°-L-IP66-480W-85000lm/850       | 10,5     | 480W              | 85000             | 177 lm/W                 | 1000W                               |
| MGT4185KN2                                | MEGATRON/N/90°-L-IP66-480W 85000lm/850       | 10,5     | 480W              | 85000             | 177 lm/W                 | 1000W                               |
| MGT4185KN3                                | MEGATRON/N/120°-L-IP66-480W 85000lm/850      | 10,5     | 480W              | 85000             | 177 lm/W                 | 1000W                               |
| MGT4185KN4                                | MEGATRON/N/ASY°-L-IP66-480W 85000lm/850      | 10,5     | 480W              | 85000             | 177 lm/W                 | 1000W                               |
| <b>POTENCIA/POWER 960W</b>                |  |          |                   |                   |                          |                                     |
| MGT811C7NW                                | MEGATRON/N/8°-XL-IP66-960W 170500lm/850      | 18,8     | 960W              | 170500            | 177 lm/W                 | 2000W                               |
| MGT811C7NX                                | MEGATRON/N/12°-XL-IP66-960W 170500lm/850     | 18,8     | 960W              | 170500            | 177 lm/W                 | 2000W                               |
| MGT811C7NY                                | MEGATRON/N/20°-XL-IP66-960W 170500lm/850     | 18,8     | 960W              | 170500            | 177 lm/W                 | 2000W                               |
| MGT811C7N                                 | MEGATRON/N/40°-XL-IP66-960W 170500lm/850     | 18,8     | 960W              | 170500            | 177 lm/W                 | 2000W                               |
| MGT811C7N1                                | MEGATRON/N/50°-XL-IP66-960W 170500lm/850     | 18,8     | 960W              | 170500            | 177 lm/W                 | 2000W                               |
| MGT811C7N2                                | MEGATRON/N/90°-XL-IP66-960W 170500lm/850     | 18,8     | 960W              | 170500            | 177 lm/W                 | 2000W                               |
| MGT811C7N3                                | MEGATRON/N/120°-XL-IP66-960W 170500lm/850    | 18,8     | 960W              | 170500            | 177 lm/W                 | 2000W                               |
| MGT811C7N4                                | MEGATRON/N/ASY°-XL-IP66-960W 170500lm/850    | 18,8     | 960W              | 170500            | 177 lm/W                 | 2000W                               |
| <b>POTENCIA/POWER 24V-400W   24V-800W</b> |  |          |                   |                   |                          |                                     |
| MGT4471KNY                                | MEGATRON/N/20°-L-IP66-24V-400W 71000lm/850   | 10,5     | 400W              | 71000             | 177 lm/W                 | 1000W                               |
| MGT4471KN                                 | MEGATRON/N/40°-L-IP66-24V-400W 71000lm/850   | 10,5     | 400W              | 71000             | 177 lm/W                 | 1000W                               |
| MGT841C4NY                                | MEGATRON/N/20°-XL-IP66-24V-800W 142000lm/850 | 18,8     | 800W              | 142000            | 177 lm/W                 | 2000W                               |
| MGT841C4N                                 | MEGATRON/N/40°-XL-IP66-24V-800W 142000lm/850 | 18,8     | 800W              | 142000            | 177 lm/W                 | 2000W                               |

ACCESORIOS DISPONIBLES/AVAILABLE ACCESSORIES

REGULACION/DIMING 0-10V | DALI T.COLOR 3000K, 4000K, 6000K OPTICA/LENS 8°, 12°, 20°, 50°, 90°, 120°, ASYM VISERA/BARNDOR